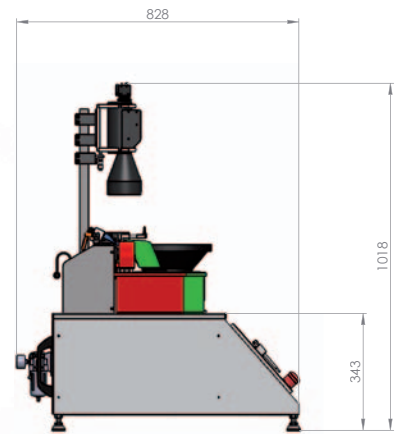
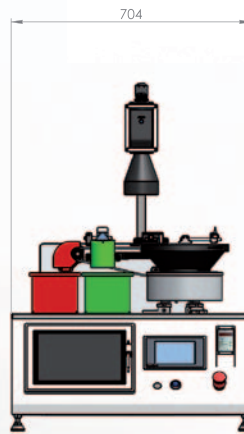
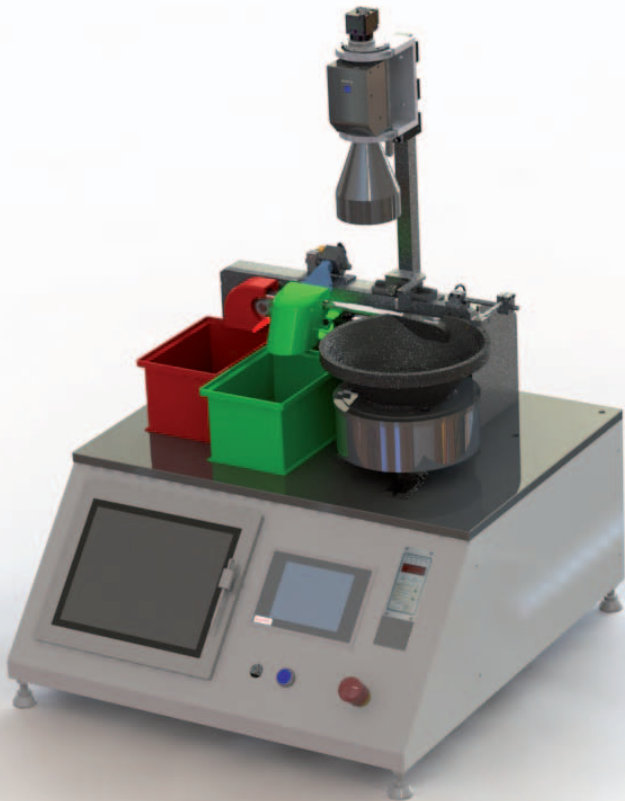


## Visio VBelt

### Camera control machine



#### Camera control machine :

- Can be used for any cylindrical or screw machined parts from 0.02 to 0.25 inches in diameter and up to 2 inches in length.
- Control rate up to 60 pieces a minute.
- Repeatability and accuracy up to .0002 " (5 microns).
- Separated bins for "good" and "bad" parts.
- Touch screen command.
- Easy teach in procedure.
- Serial data port .
- Multiple parts programs can be saved.
- Easy to move around.

## LEMTRONIC

Route de la Greffaz 31  
CH 1895 VIONNAZ

Tel : +41 (0)24 482 35 35  
Fax : +41 (0)24 482 35 50

Follow us on



[www.lemtronic.ch](http://www.lemtronic.ch)